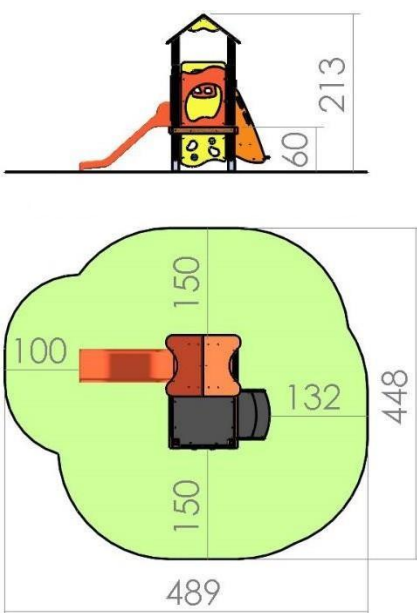
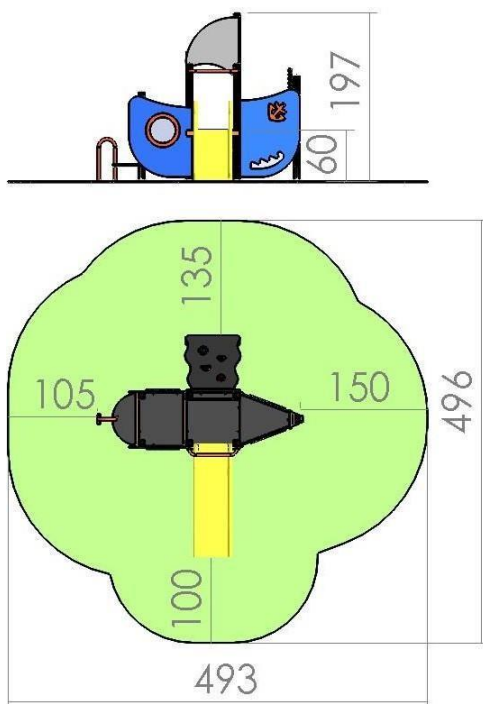


Combined playground equipment 69



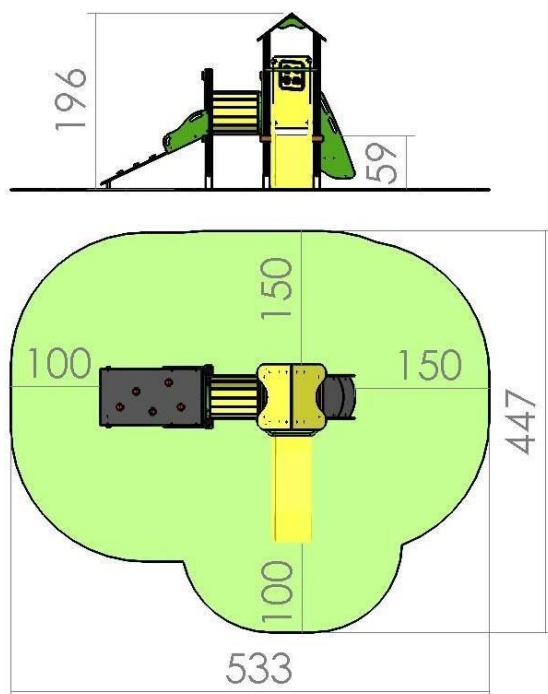
Maximum free fall height	59 cm
Maximum number of user	5
Size of the facility	257 x 148 x 213 cm
Safety zone	31m ²
Certificate	EN1176-1 EN71-3

Combined playground equipment 140



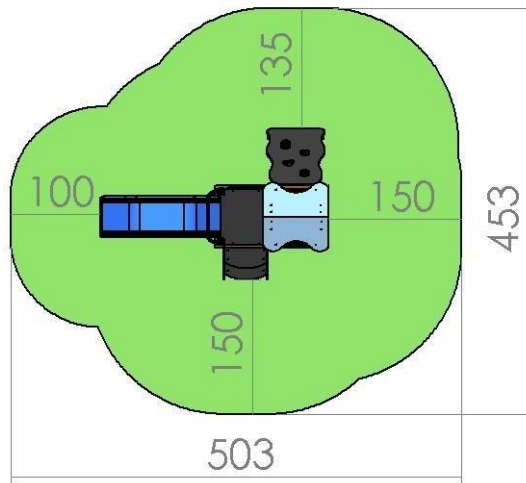
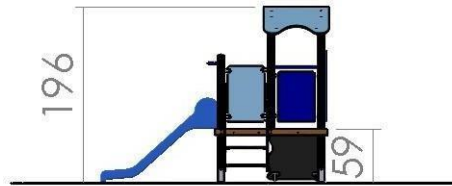
Maximum free fall height	60 cm
Maximum number of user	5
Size of the facility	238 x 261 x 197 cm
Safety zone	24m ²
Certificate	EN1176-1 EN71-3

Combined playground equipment 124



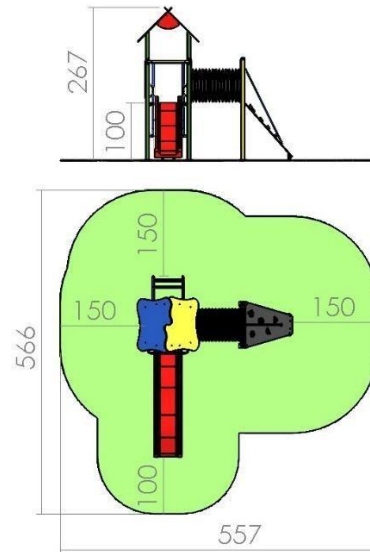
Maximum free fall height	59 cm
Maximum number of user	5
Size of the facility	283 x 197 x 196 cm
Safety zone	24m ²
Certificate	EN1176-1 EN71-3

Combined playground equipment 122



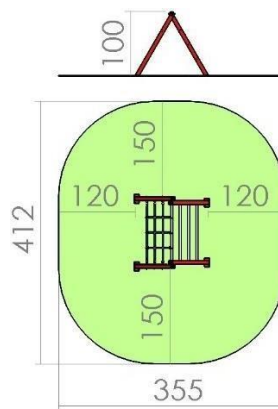
Maximum free fall height	59 cm
Maximum number of user	6
Size of the facility	253 x 168 x 196 cm
Safety zone	23m ²
Certificate	EN1176-1 EN71-3

Combined playground equipment 06 :



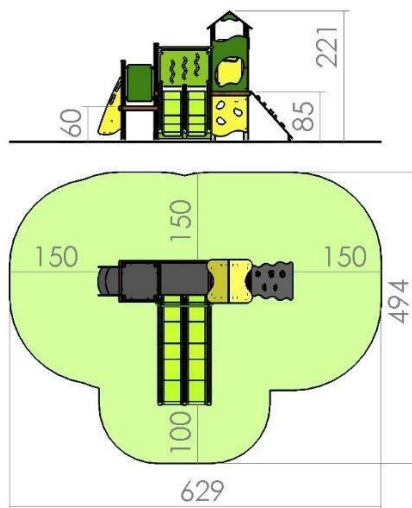
Age group	3-12 y.o.
Maximum free fall height	100 cm
Maximum number of user	6
Size of the facility	316 x 257 x 267 cm
Safety zone	31 m ²
Certificate	EN1176-1 EN71-3

Children climbing 57-1 € 950.00



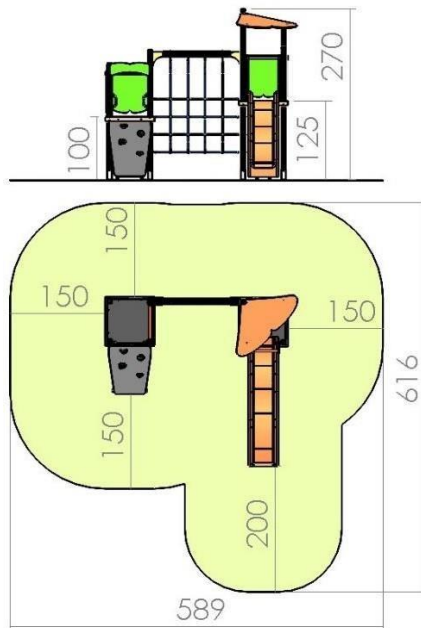
Age group	3-12 y.o.
Maximum free fall height	100 cm
Maximum number of user	2
Size of the facility	115 x 112 x 100 cm
Safety zone	16 m ²
Certificate	EN1176-1

Combined playground equipment 136



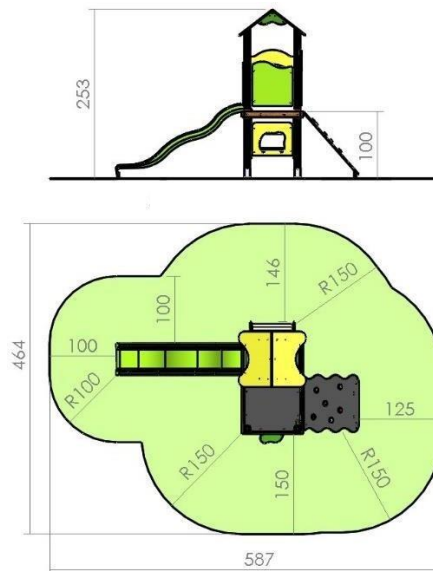
Age group	2-6 y.o.
Maximum free fall height	85 cm
Maximum number of user	6
Size of the facility	329x244x221 cm
Safety zone	31 m ²
Certificate	EN1176-1 EN1176-3

Combined playground equipment 002



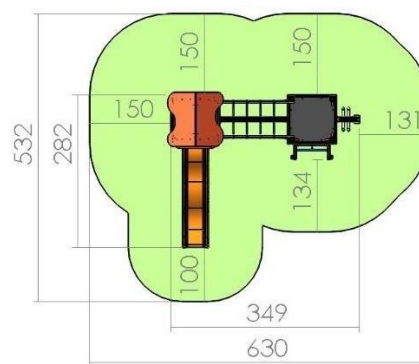
Age group	3-12 y.o.
Maximum free fall height	125 cm
Maximum number of user	6
Size of the facility	289x266x270 cm
Safety zone	37 m ²
Certificate	EN1176-1 EN1176-3

Combined playground equipment 05 :



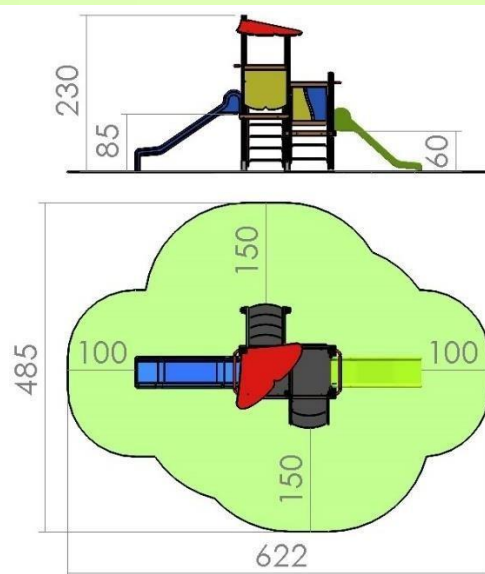
Age group	3-12 y.o.
Maximum free fall height	100 cm
Maximum number of user	8
Size of the facility	362 x 168 x 253 cm
Safety zone	23 m ²
Certificate	EN1176-1 EN71-3 EN71-3

Combined playground equipment 113



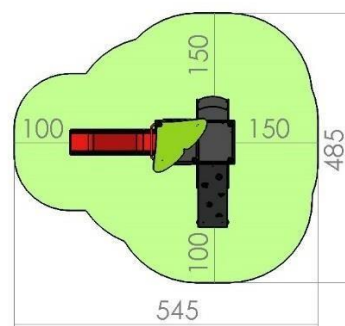
Age group	3-12 y.o.
Maximum free fall height	100 cm
Maximum number of user	10
Size of the facility	349x 282 x 262 cm
Safety zone	30 m ²
Certificate	EN1176-1 EN1176-3 EN71-3

Combined playground equipment 132



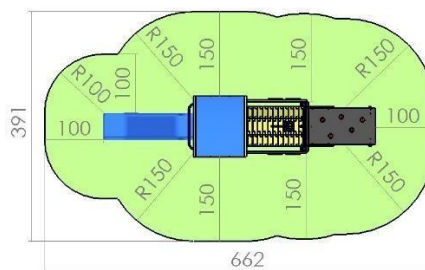
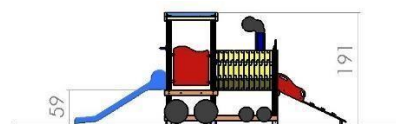
Age group	2-6 y.o.
Maximum free fall height	85 cm
Maximum number of user	6
Size of the facility	422 x 18 x 230 cm
Safety zone	30m ²
Certificate	EN1176-1 EN1176-3

Combined playground equipment 133



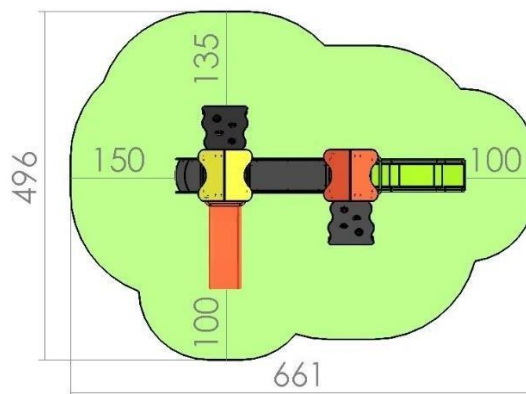
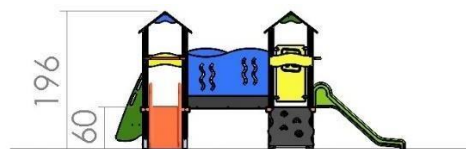
Age group	2-6 y.o.
Maximum free fall height	85 cm
Maximum number of user	6
Size of the facility	295x235x230 cm
Safety zone	27 m ²
Certificate	EN1176-1 EN1176-1

Train- 0053



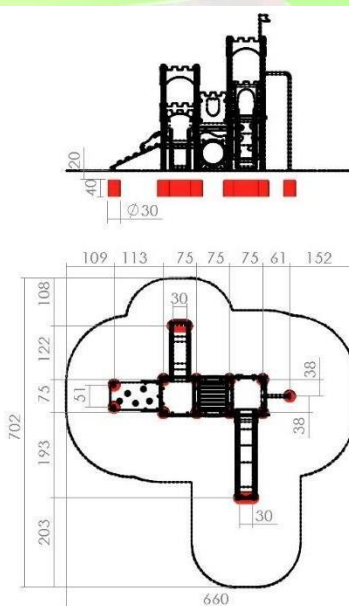
Age group	3 y.o.
Maximum number of user	8
Size of the facility	432 x 95 x 191 cm
Safety zone	24 m ²
Certificate	EN1176-1 EN1176-3 EN71-3

Combined playground equipment 144



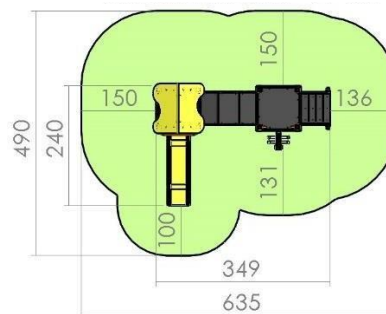
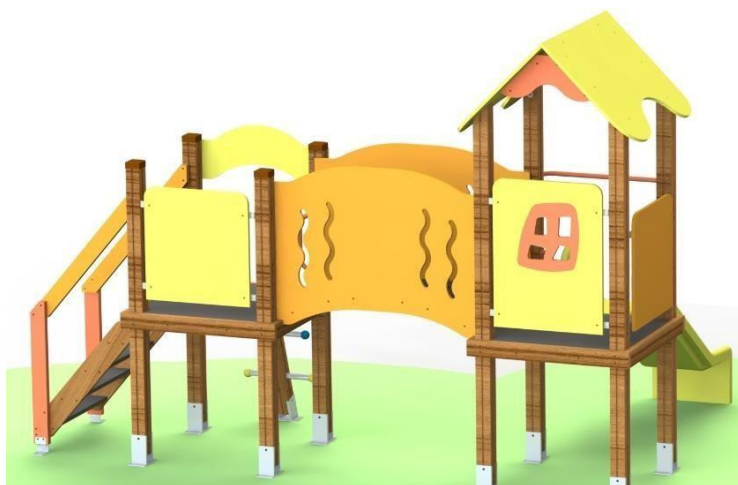
Age group	2-6 y.o.
Maximum free fall height	60 cm
Maximum number of user	8
Size of the facility	411 x 261 x 196 cm
Safety zone	33 m ²
Certificate	EN1176-1 EN1176-3

Combined playground equipment 72



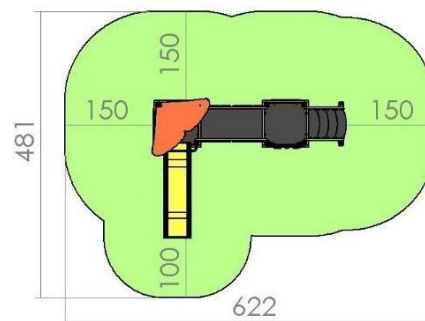
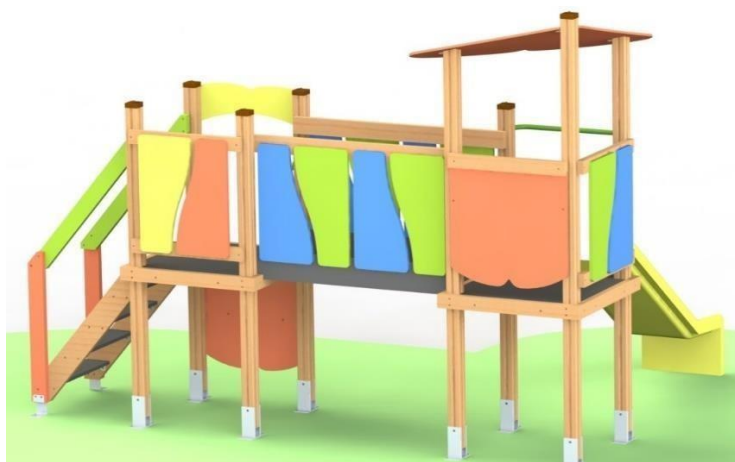
Age group	2-12 y.o.
Maximum free fall height	125 cm
Maximum number of user	10
Size of the facility	410 x 402 x 355 cm
Safety zone	46 m ²
Certificate	EN1176-1 EN1176-3 EN71-3

Combined playground equipment 106



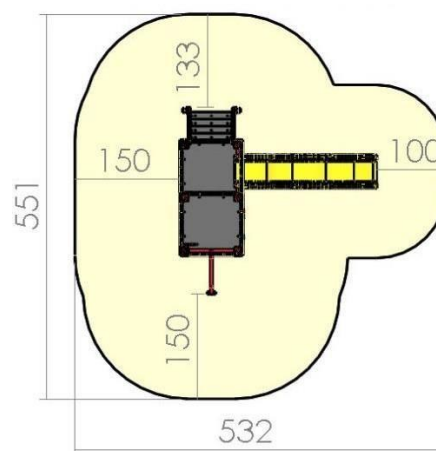
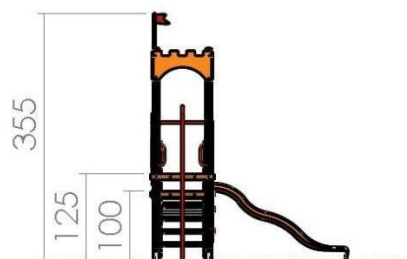
Age group	2-6 y.o.
Maximum free fall height	85 cm
Maximum number of user	10
Size of the facility	349 x 240 x 247 cm
Safety zone	29 m ²
Certificate	EN1176-1 EN1176-3 EN71-3

Combined playground equipment 0106



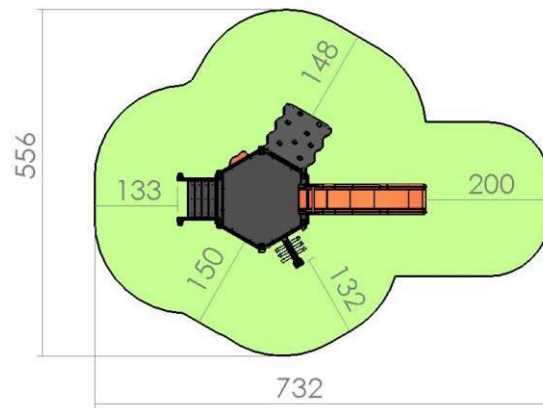
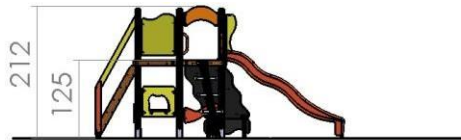
Age group	2-6 y.o.
Maximum free fall height	85 cm
Maximum number of user	8
Size of the facility	294x461x230 cm
Safety zone	30 m ²
Certificate	EN1176-1 EN1176-3

Combined playground equipment 172



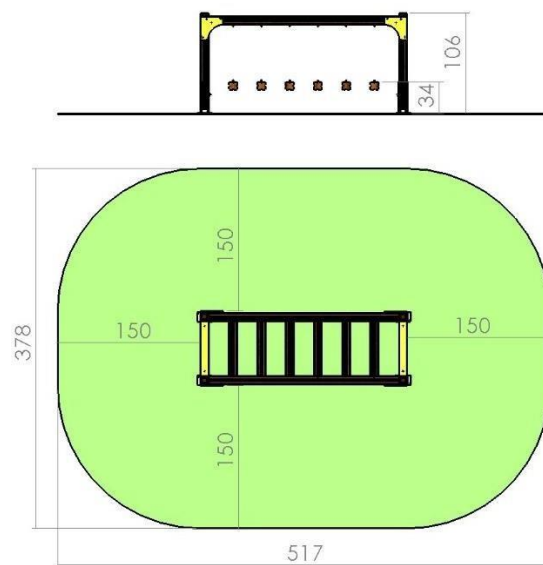
Age group	2-12 y.o.
Maximum free fall height	125 cm
Maximum number of user	10
Size of the facility	410 x 402 x 355 cm
Safety zone	46 m ²
Certificate	EN1176-1 EN1176-3 EN71-3

Combined playground equipment 0016



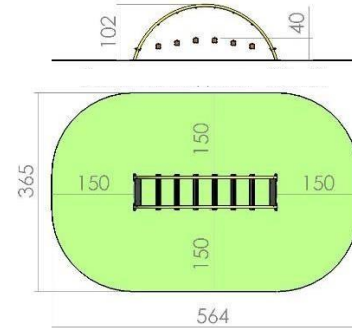
Age group	2-12 y.o.
Maximum free fall height	125 cm
Maximum number of user	10
Size of the facility	410 x 402 x 355 cm
Safety zone	46 m ²
Certificate	EN1176-1 EN1176-3 EN71-3

32 Διαδρομή Ισορροπίας



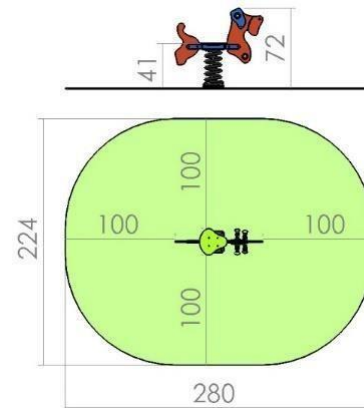
Age group	3-12 y.o.
Maximum free fall height	50 cm
Maximum number of user	4
Size of the facility	75x217x106 cm
Safety zone	20 m ²
Certificate	EN1176-1

29 Διαδρομή ισορροπίας – Μεταλλική



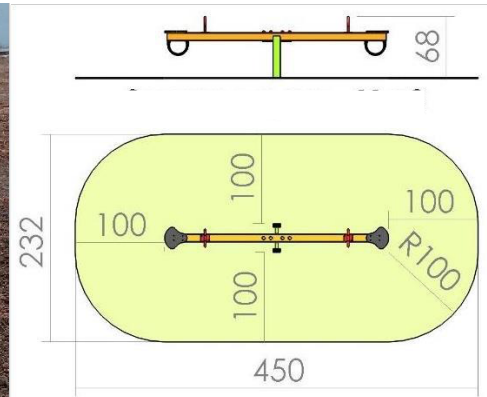
Age group	3-12 y.o.
Maximum free fall height	37 cm
Maximum number of user	4
Size of the facility	306x124x132 cm
Safety zone	21 m ²
Certificate	EN1176-1

Μονό Ελατήριο



Age group	2-6 y.o.
Maximum free fall height	60 cm
Maximum number of user	1
Size of the facility	24 x 80 x 72 cm
Safety zone	7 m ²
Certificate	EN1176-1 EN1176-6

10- Τραμπάλα



Age group	3-12 y.o.
Maximum free fall height	100 cm
Maximum number of user	2
Size of the facility	75x217x106 cm
Safety zone	20 m ²
Certificate	EN1176-1 EN1176-6

- The equipment must be inspected/maintained according to the manufacturer's instructions.
- Certified for public use – Suitable for outdoor areas.
- Weather-resistant – Components are made of HPL wood and metal.
- Rounded corners to prevent injuries – Safety caps on screws.
- Approximately 40 days for delivery from the date of order confirmation.
- Installation on pre-prepared concrete, provided at your own cost (if not already available).